

## FLATWORK IRONERS FOR BIG PRODUCTIONS

### HIGH CAPACITY FLATWORK IRONERS WITH LENGTH FOLDER

#### Features

## CP-260-330/80

- Flatwork ironers, with front feed and return.
- Roll sizes: 2.600 and 3.300 mm wide and 800 mm diameter.
- Panels in painted steel.
- One or two working lanes: one lane for bedsheets and two lanes for tablecloths and small pieces.
- Length fold with 1 or 2 folds in two independent lanes.
- Folding by photocells and compressed air.
- Frequency control.
- Feeding and ironing belts are Nomex.
- Polished steel roll, with finger guard.
- CE certificate and gas certifications.
- Touch-screen control: programs can be created with speed control (between 3 and 18 mts/min), temperature and folding parameters.
- Big output capacity, depending on the residual moisture of the linen, up to 220 kg/hour straight from the high spin washer extractor.
- Electric, gas or steam heating.
- Powerful exhaust System.
- Two versions of gas heated models:
  - Gas model with atmospheric burner.
  - **NEW** gas model with **radiant burner**.  
**25% gas consumption savings and 25% more production.**



Emissions  
CO<sub>2</sub>/carbon  
footprint



Energy  
efficiency



Touch  
technology



Microprocessor



Inverter



Chromed roll



Easy  
maintenance



Drying



Ironing

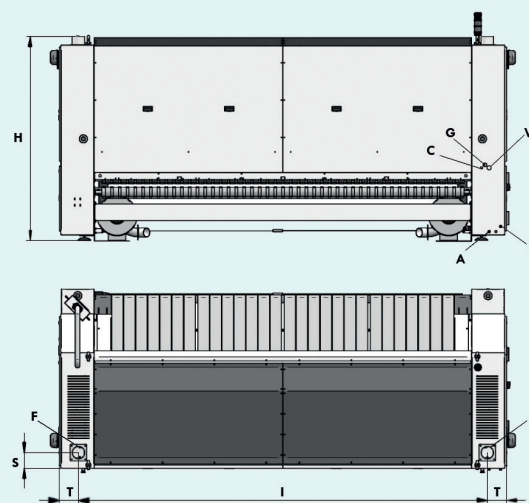


Length fold

#### Options

- Automatic 1 lane clamp feeder with vacuum feeding belts.
- Small pieces back collector: 2 or 4 lanes.
- Vacuum feeding belts.
- Linen reject system.
- Double air pressure in length folds for thicker linen.
- Rear exit with by-pass included.
- Motorized rear exit- height of 850 mm.
- Cross folder PL-Cross + stacker for CP.
- Special voltage.

TECHNICAL DATA	UNIT.	CP-260/80	CP-330/80
<b>GENERAL DETAILS</b>			
Theoretical production (45%) humidity	Kg/h	140-175	180-220
Ø Roll	mm	800	800
Working width	mm	2.600	3.300
Height floor-feeding	mm	970	970
Working speed	mt/min	3-13	3-13
Control type	-	Touch	Touch
Programmes	Nº	20	20
<b>FOLDING</b>			
1 lane- Primary fold	Nº	1-2	1-2
1 lane- Cross fold	Nº	-	-
2 lanes- Primary fold	Nº	1-2	1-2
2 lanes- Cross fold	Nº	-	-
<b>POWER</b>			
Heating power (electric model)	kW	75	75
Total electric power (electric model)	kW	77,2	77,2
Heating power (gas model)	kW	89	127
Total electric power (gas model)	kW	2,2	2,2
Heating power (steam model)	kW	85	110
Total electric power (steam model)	kW	2,2	2,2
<b>CONNECTIONS</b>			
Ø Gas inlet	BSP	1"	1"
Ø Steam inlet	BSP	1"	1"
Ø Condensed (Steam model)	BSP	1/2"	1/2"
Ø Air inlet	mm	12	12
<b>DIMENSIONS / PACKAGING DIMENSIONS</b>			
Width / Width	mm	3.786/3.870	4.486/4.570
Depth / Depth	mm	1.770/1.860	1.770/1.860
Height / Height	mm	1.980/2.230	1.980/2.230
Weight / Weight	Kg	2.535/2.885	2.835/3.335
Volume	m3	13,27/16,05	15,72/18,96
<b>OTHERS</b>			
No. Fume outlet	Nº	2	2
Ø Fume outlet	mm	120	120
Air flow	m3/h	2 x 1.000	2 x 1.000
Air Consumption (6,5 Bar)	Nl/h	9.000	9.000
Sound Level	dB	70	70



- A. Compressed air inlet
- C. Condensation discharge (steam heating)
- E. Electrical connection
- F. Fumes discharge connection
- G. Gas inlet (gas heating)
- V. Steam inlet (steam heating)

	H	I	T	S	A	C	E	F	G	V
CP-260/80	1.966	3.242	186	152	Ø 12	1/2"	5 x 2,5	Ø 120	1"	1"
CP-330/80	1.966	3.942	186	152	Ø 12	1/2"	5 x 2,5	Ø 120	1"	1"



**Primer**

info@primer.es

www.primer.es

www.primerlaundry.com