

## TUMBLE DRYERS

### SEMI-INDUSTRIAL EQUIPMENT

#### Features

### DR-6-8 P

- Tumble dryers 6 & 8 kg capacity.
- Sturdy construction, drum on two support rollers.
- Vented, condensed and Heat pump models.
- Magnetic door lock.
- Reversing door
- Double lint filter with display reminder.
- Temperature sensor, ideal for the most sensitive clothes and to reduce energy consumption.
- Programmer: 7 fixed sensor controlled programs.
- CONDENSER MODELS: The air is warmed up when passing through a heater. Moist is collected as water drops in the condenser and is evacuated either via drain hose or gathered in a water tank.
- HEAT PUMP DRYER: No extra external air needed. The air is heated in the condenser. The air runs through the drum, transporting moist air out of the drum. Moist air is condensed in the evaporator and is evacuated through an attached exhaust pipe, or led to condense water tank. It has 10 automatic programs, and automatic lint filter cleaning.



Stainless steel



Microprocessor



Emissions  
CO<sub>2</sub>/carbon  
footprint



Minimum  
consumption  
of water



Efficient drum  
design

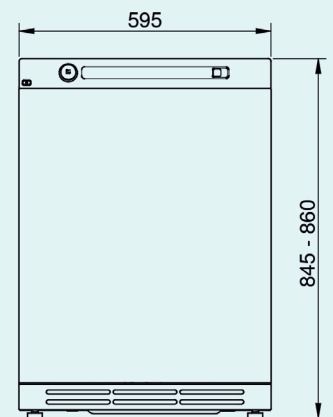
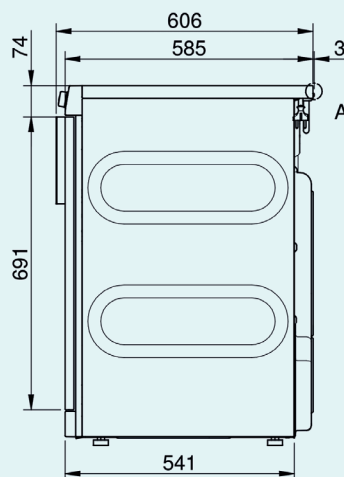
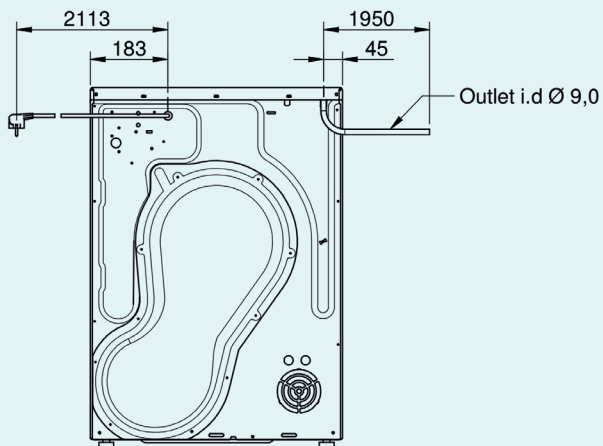


Heat pump

#### Options

- Frequency at 60Hz (Vented models).
- Frequency at 60Hz (Condensed models).

TECHNICAL DATA	UNIT.	DR-6 P vented	DR-6 P condensed	DR-6 P heat pump	DR-8 P vented	DR-8 P heat pump
<b>DRUM</b>						
Capacity 1:10	Kg	6,2	6,2	6,2	8	8
Volume	l	112	112	112	145	145
<b>GENERAL DETAILS</b>						
Type	-	Vented	Condensed	Heat Pump	Vented	Heat Pump
Display languages	-	12	12	12	13	13
Construction	-	Stainless steel door and top panel, titanium side panels				
Control	-	Electronic	Electronic	Electronic	Electronic	Electronic
Noise level	dB	66	66	66	64	64
Coiner OPTION	-	Yes	Yes	Yes	Yes	Yes
<b>POWER</b>						
Electric heating	W	3.000	2.500	800	3.000	900
Frequency	Hz	50	50	50	50	50
R-gost approval	-	Yes	Yes	Yes	Yes	Yes
Self-cleaning condenser filter	-	No	No	Yes	No	Yes
Voltage	Hz	230 I/230 III/400 III 50Hz	230 I / 400 III	230 I 50Hz	230 I/230 III/400 III 50Hz	230 I 50Hz
Fixed lint filter in door	-	Yes	Yes	Yes	Yes	Yes
<b>DIMENSIONS</b>						
Width	mm	600	600	600	600	600
Depth	mm	585	585	585	726	726
Height	mm	850	850	850	850	850
Net weight	kg	39	39	39	45	45



**Primer**

info@primer.es

www.primer.es

www.primerlaundry.com