

## FLATWORK IRONERS

THE MOST ADVANCED FEATURES IN THE MARKET

### Features

## C-140-160-200/32

- Dries and irons in a single operation directly from a high speed spin washer extractor.
- Front feeding and return of the linen.
- Microprocessor with 7 preset speeds of ironing.
- Single roll  $\varnothing$  325 mm in polished steel.
- 3 available working widths 1.400, 1.600 and 2.000 mm.
- Stainless steel panels.
- Motor with speed inverter.
- Built-in cool down system.
- Feeding and ironing by Nomex bands.
- Double emergency stops: hands safety bar and front emergency push-button.
- Heating protection by 2 thermostats.
- Electric, steam or gas heated.
- Two versions of gas heated models:
  - Gas model with atmospheric burner.
  - **NEW** gas model with **radiant burner. 25% gas consumption savings and 25% more production.**
- CE, ETL and gas certifications.



Emissions CO<sub>2</sub>/carbon footprint



Energy efficiency



Easy maintenance



Stainless steel



Inverter: improved performance



Microprocessor



Chromed roll



Radiant burner



Drying



Ironing

### Options

- Smart System (patented): automatic regulation of the ironing speed according to the residual moisture.
- Chrome plated roll.
- Reversing roll.
- Other voltages different to standard one.

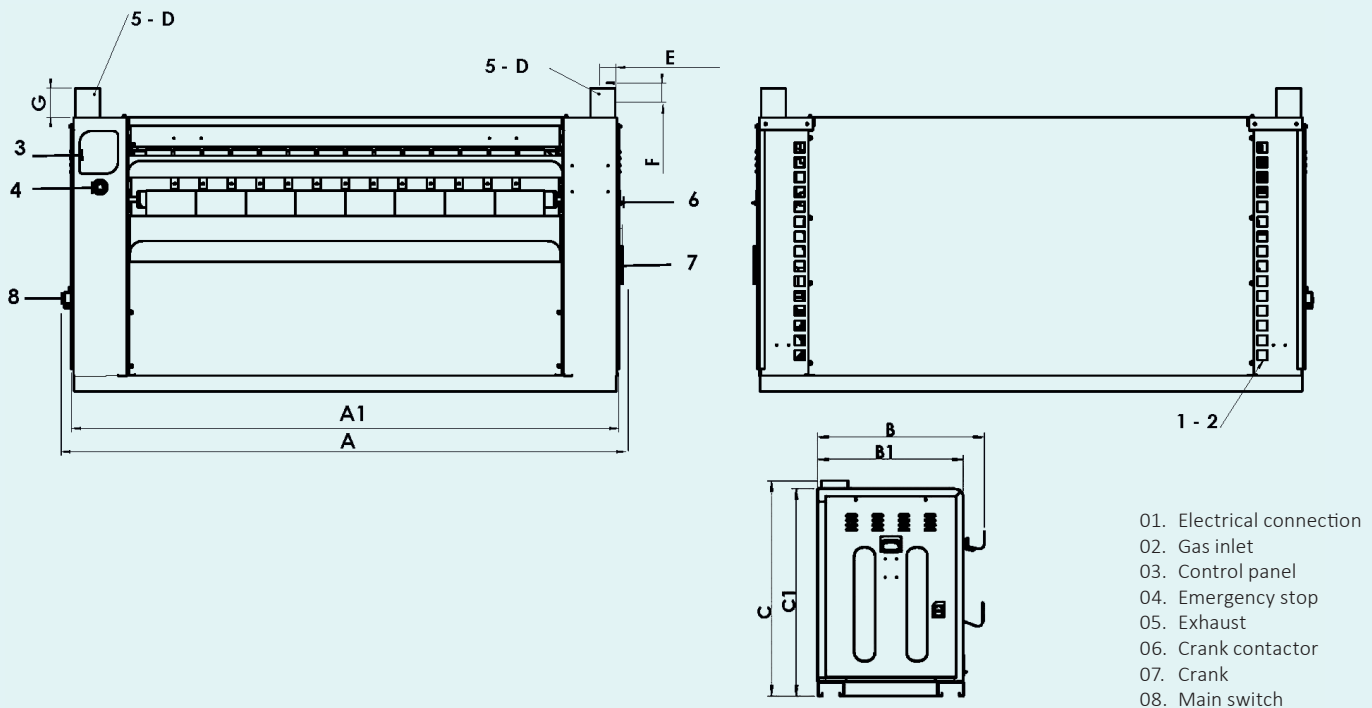


High-tech steel roll



Humidity control

TECHNICAL DATA	UNIT.	C-140/32	C-160/32	C-200/32			
Theoretical production 45% humidity	Kg/h	10-20	20-30	30-40			
Theoretical production 45% humidity. Radiant burner	Kg/h	12-25	25-37	37-50			
Ø Roll	mm	325	325	325			
Working width	mm	1.400	1.600	2.000			
Height floor-feeding belts	mm	990	990	990			
Working speed	mt/min	1-6,5	1-6,5	1-6,5			
<b>POWER</b>							
Heating power (electric model)	kW	12	16	21			
Total electric power (electric model)	kW	12,37	16,57	21,49			
Heating power (gas model)	kW	14	22,5	30			
Total electric power (gas model)	kW	0,37	0,37	0,49			
Roll motor power	kW	0,25	0,25	0,25			
Fan motor power	kW	0,12	0,12	0,12 (x2)			
<b>CONNECTIONS</b>		<b>ELECTRICAL</b>	<b>GAS</b>	<b>ELECTRICAL</b>	<b>GAS</b>	<b>ELECTRICAL</b>	<b>GAS</b>
Tension 230V- III + T	Nº x mm2 / A	3 x 6 / 32A	3 x 2,5 / 2A	3 x 10 / 50A	3 x 2,5 / 2A	3 x 16 / 63A	3 x 2,5 / 2A
Tension 400V- III + N + T	Nº x mm2 / A	4 x 4 / 20A	4 x 2,5 / 2A	4 x 4 / 25A	4 x 2,5 / 2A	4 x 6 / 32A	4 x 2,5 / 2A
Ø Gas inlet	BSP	1/2"		1/2"		1/2"	
<b>DIMENSIONS / PACKAGING DIMENSIONS</b>							
Width / Width	mm	1.960/2.340	2.210/2.340	2.560/2.780			
Depth / Depth	mm	644/770	644/770	644/770			
Height / Height	mm	1.107/1.400	1.107/1.400	1.107/1.400			
Weight / Weight	Kg	300/335	355/375	405/428			
Volume	m3	1,40/2,52	1,58/2,52	1,83/3,00			
<b>OTHERS</b>							
No. Fume outlet	Nº	1 (2 gas)	1 (2 gas)	2			
Ø Fume outlet	mm	98	98	98			
Air flow	m3/h	500 (1.000 gas)	500 (1.000 gas)	1.000			
Sound Level	dB	60	60	63			



	A	B	C	A1	B1	C1	D	E	F	G
C-140/32	2.030	644	1.247	1.960	546	1.107	Ø 98	66	77	140
C-160/32	2.280	644	1.247	2.210	546	1.107	Ø 98	66	77	140
C-200/32	2.630	644	1.247	2.560	546	1.107	Ø 98	66	77	140



**Primer**

info@primer.es

www.primer.es

www.primerlaundry.com